

FERCELL

Pallet Breaker

1300 Series



REDUCES WASTE BY UP TO 80% ▪ EASY TO OPERATE ▪ ONLY 7.5 KW

www.fercell.com

PALLET BREAKER

If you're looking to breakdown your full-sized pallets in a safe and effective way, the compact 1300 series is an ideal solution.

The 1300 series is suitable for whole/or part wooden pallets, breaking them down into hand size pieces.

Available in 2 versions, the standard version can process 10-20 pallets an hour, while the S version is capable of processing up to 25 pallets an hour.

HOW IT WORKS?

The complete pallets are loaded in the top of the breaker, or horizontally via the loading platform. Pallets are placed into the pallet breaker one at a time, with broken product pushed out at the base of the machine.

Processed material can be easily loaded into a suitable container, or bulk-bag without the need of a additional conveyor by means of the discharge chute.

The machine operation is fully automatic, and is equipped with a safety switch and emergency stop. In the event of system overload or blockage within the mechanism, the mechanism will auto-reverse to clear the issue and switch off automatically after 3 unsuccessful attempts.

The breaker can run in auto or manual mode, in manual mode the breaker will run until the stop button is depressed, while in auto mode it will run until an extended period of the machine being empty. The loading platform is equipped with a safety switch and gas strut.

PROCESS UPTO 25
PALLETS AN HOUR

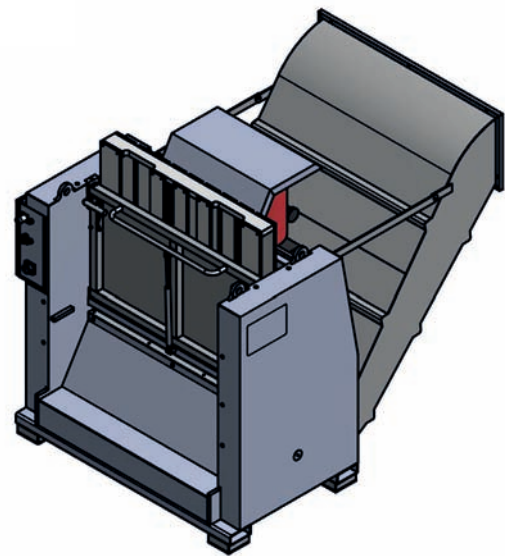
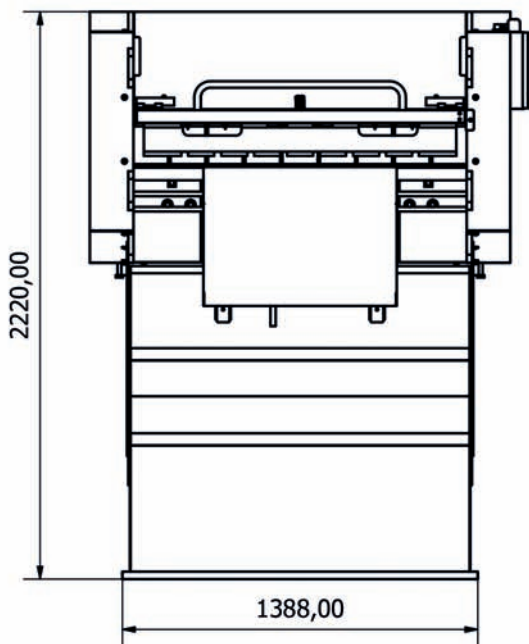
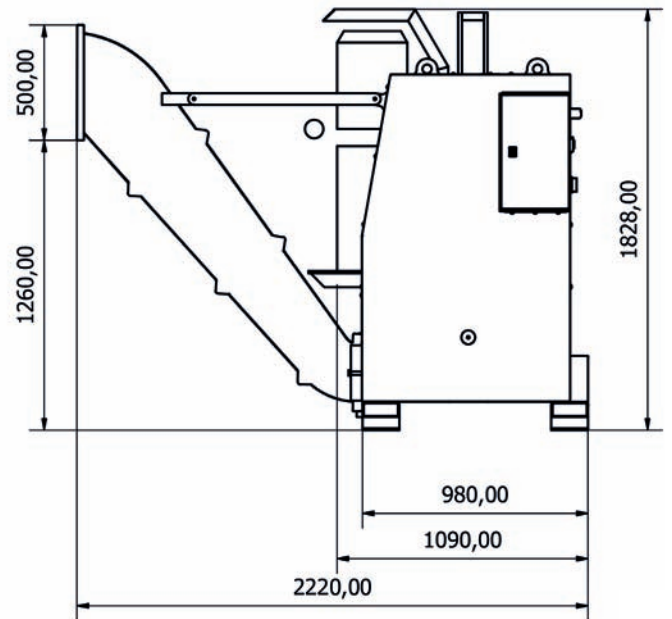
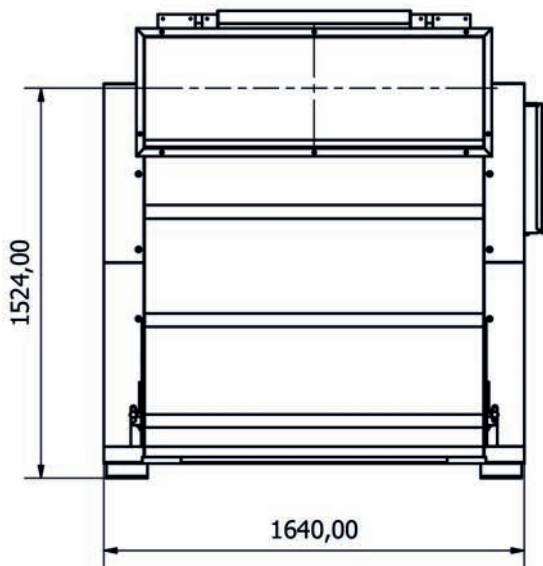




BENEFITS

- Processing of voluminous products with a compact small machine
- Load directly in container, skip or bulk-bag
- Volume reduction up to 80%
- Address pallet storage issues (Insurance: 10 metres from building)
- Generate revenue instead of disposal costs
- Low energy consumption, only 7.5 KW 400/3/50
- Automatic processing
- Safety device, protecting against improper use
- Easy operation
- Very low dust emissions

TECHNICAL SPECIFICATION



- 7.5 kW, 400V, 3phs, 50Hz driven hydraulic power pack
- Opening 1300 x 170mm
- Main dimensions L 1600 x B 900 x H 1500mm (including discharge chute B = 2100mm)
- Hydraulically operated discharge mechanism
- Discharge chute opening 1300 x 450mm
- Discharge height 1200mm
- Weight approx. 1400 kg
- Electrical control box with main switch, selector switch, on / off switch and emergency stop
- Easily moved either with a forklift or by means of lifting eyes
- Comprehensive machine manual
- Finishing in RAL 3002 and RAL 7022
- CE certified