

# **BRIQUETTING PRESSES**

## TH STANDARD SERIES

TH 514 | TH 614 | TH 714 | TH 814  
TH 520 | TH 620 | TH 720 | TH 820

# SHAPING YOUR WASTE.

THE TH STANDARD SERIES COMPACTS WOOD, POLYSTYRENE, FOAM, LIGHT METALS, PAPER OR BIOMASS.

## TH VARIO SERIES

→ Components (presses, hydraulic systems, containers and accessories) are available individually, can be combined with each other or integrated into existing systems



### HOPPER

→ With agitator and screw auger // 1400 x 1400 mm or 2000 x 2000 mm for better feeding and higher buffer capacity



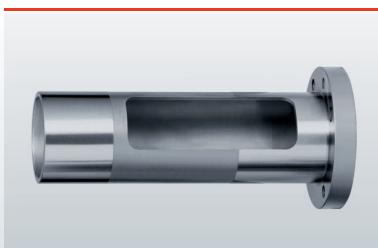
### HYDRAULICS WITH SEPARATED OIL TANK

→ Temperature controlled hydraulic system // Valve control // Pump designed for long operating time



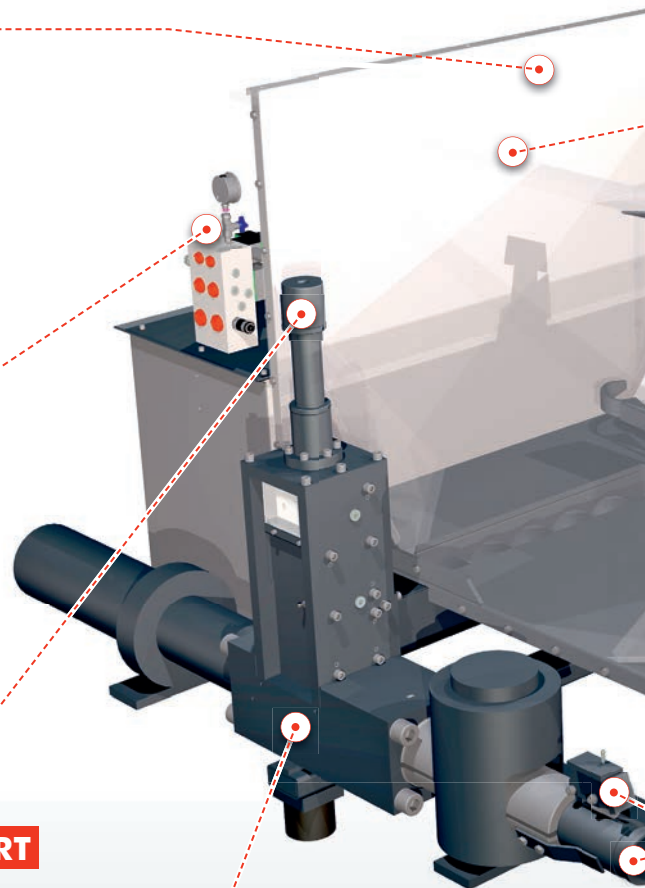
### END POSITION CUSHIONED CYLINDER

→ Dustproof and closed dust collection port with end position cushioned cylinder und bolted over // Maintenance-free operation



### PRESSING CHAMBER INSERT

→ Prevents wear in pressing zone



## YOUR BENEFITS.

- ✓ Optimum use of waste material
- ✓ Briquettes can be sold
- ✓ Transport and storage savings
- ✓ Better burning characteristics than loose swarf
- ✓ Minimum disposal costs
- ✓ Save handling of explosive dust



### OIL COOLING

→ Optional feature for multi-shift operation



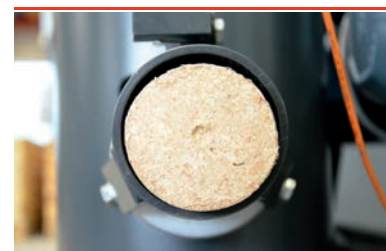
### PLC-CONTROL

→ Manual control for unblocking  
// International standard parts



### BRIQUETTE DIMENSIONS

→ Briquette diameter from 50 mm to 80 mm  
// Dependent on machine type



### BRIQUETTE LENGTH CONTROL

→ Designed for consistent briquette sizing



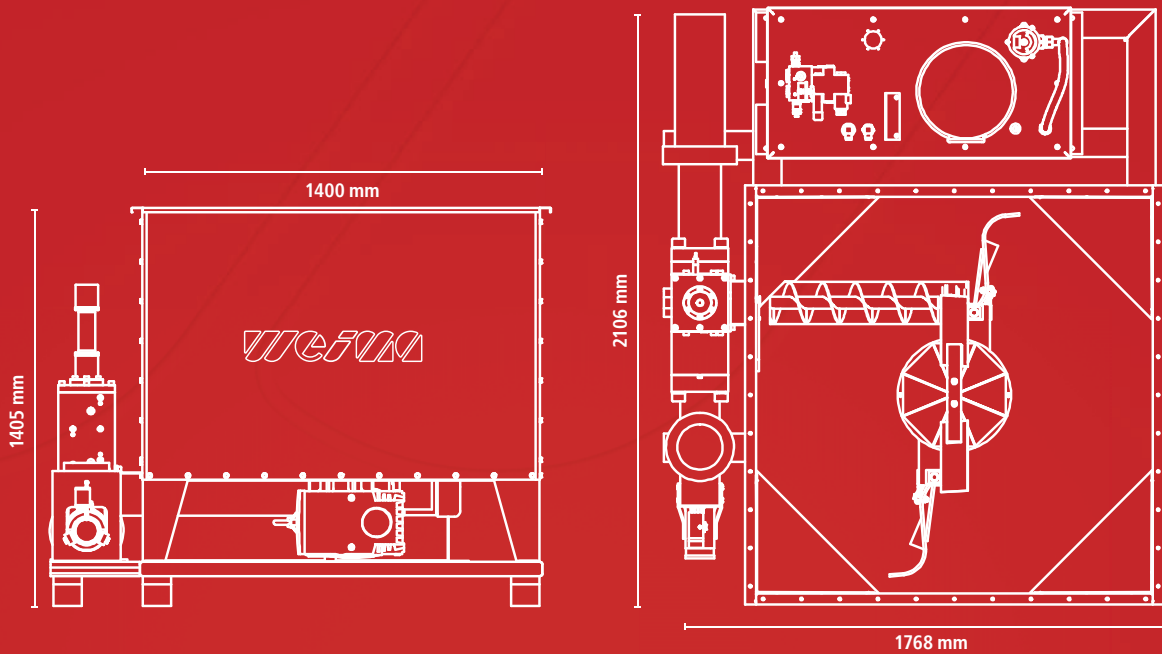


shredding + briquetting

weima.com



### TH 714



TECHNICAL SPECIFICATIONS		TH 514/520	TH 614/620	TH 714/720	TH 814/820
Briquette diameter	[mm]	50	60	70	80
Output	[kg/h]	100*	120*	160*	180*
Hydraulic motor	[kW]	7.5	7.5	11	11
Hydraulic oil charge	[l]	160	160	250	250
Weight	[approx. kg]	950/1,100	1,000/1,150	1,100/1,250	1,300/1,500

\* Output depends on the type of material. Data is average.

WEIMA Maschinenbau GmbH

Bustadt 6-10 | 74360 Ilsfeld (Germany) | Phone: +49 (0)70 62 95 70-0 | Fax: +49 (0)70 62 95 70-92 | info@weima.com



FERCELL Engineering Ltd (UK Distributors)

Old Mill Lane | Aylesford, Kent, ME20 7DT (United Kingdom) | Phone: +44 (0)1622 791414 | Fax: +44 (0)1622 791515 | info@fercell.com

