

## MV Series Direct-Drive Paddle Blade Fans

These Fans are constructed from heavy gauge steel plate and they have been specifically designed for the extraction and transportation of wood and dust particles. Each fan has a highly efficient impeller with backward inclined blades and an aerodynamically designed inlet, which is self-cleaning. The impellers are manufactured from 4 and 5mm thick steel plate and they are statically and dynamically balanced for a stable, vibration free performance.

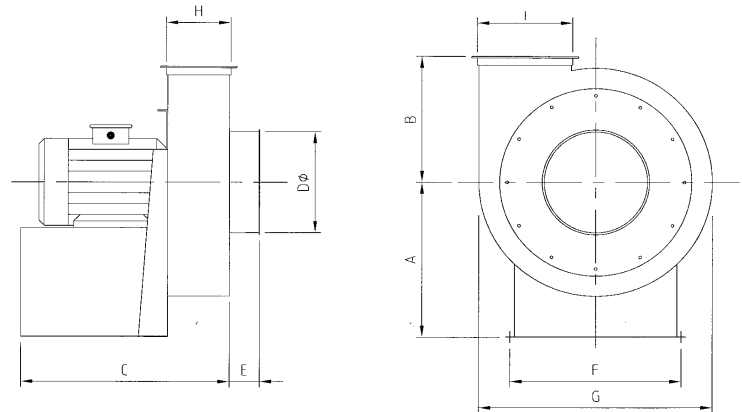
Specification - Table 1						
Model	Fan kW	Speed rpm	Fan Inlet Dia. mm	Air Volume m <sup>3</sup> /hr	Pressure mm w/g	Weight Kg
MV3	2.2	2800	180	2700	160	62
MV4	3.0	2800	225	3600	160	65
MV5	4.0	2800	250	4800	180	76
MV7	5.5	2800	300	6100	190	85
MV10	7.5	2800	325	8300	200	97
MV15	11.0	2800	400	11200	220	119
MVS/HR15	11.0	1450	400	12100	285	310
MVS/HR20	15.0	1450	425	14100	310	340
MVS/HR25	18.5	1450	450	15600	320	442
MVS/HR30	22.0	1450	500	18000	320	463

Specification - Table 2									
Model	A mm	B mm	C mm	D mm	E mm	F mm	G mm	H mm	I mm
MV3	383	283	460	180	65	360	540	135	210
MV4	450	290	520	225	65	377	610	180	235
MV5	450	290	550	250	65	377	610	180	235
MV7	455	330	550	300	65	477	690	180	285
MV10	455	330	595	325	70	477	690	180	285
MV15	535	400	715	400	90	540	800	210	310
MVS/HR15	775	570	820	400	150	760	1180	290	400
MVS/HR20	775	570	820	425	150	760	1180	290	400
MVS/HR25	775	615	980	450	150	760	1190	370	450
MVS/HR30	775	615	980	500	150	760	1190	370	450

Highly efficient ■ Smooth running ■ Solidly Built

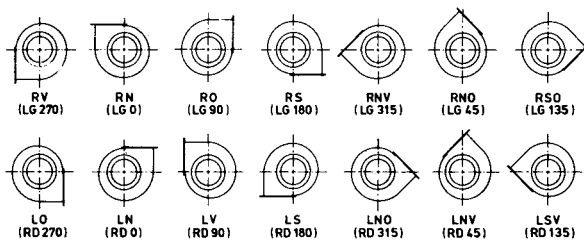


Starters on all models are excluded

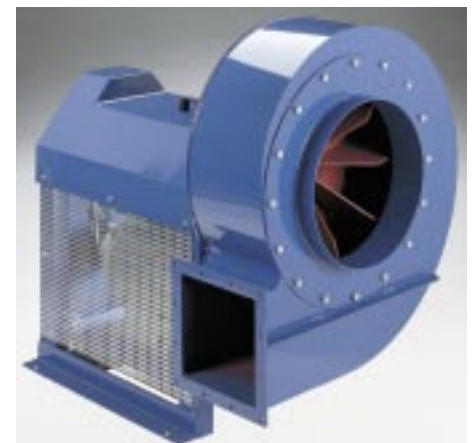


## K Series Indirect Paddle Blade Fans

These fans are constructed from heavy gauge plate steel and they have been specifically designed for the extraction and transportation of wood and dust particles. Each fan has a highly efficient impeller which is also manufactured from heavy gauge plate steel. These impellers are statically and dynamically balanced for a stable and vibration-free performance.

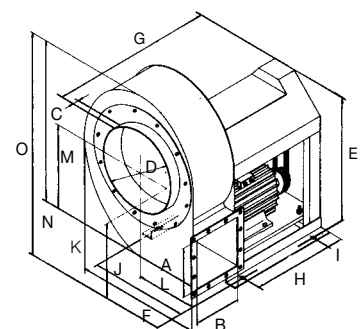


The handing position applies to the fan seen from the suction side.



The indirect belt drive range from 7.5 kW to 90 kW

Specification																	
Model	A mm	B mm	C mm	D mm	E mm	F mm	G mm	H mm	I mm	J mm	K mm	L mm	M mm	N mm	O mm	Weight Kg	Max. Motor hp
30K	206	206	36	300	635	631	795	395	55	460	550	293	377	676	816	148	15
40K	250	250	55	400	765	740	1010	545	55	550	650	326	462	824	987	270	30
45K	339	339	55	450	870	885	1162	599	55	675	720	375	570	1013	1144	400	40
55K	418	418	60	550	1200	1095	1435	780	55	853	955	468	715	1250	1490	915	75
75K	704	555	60	750	1350	1225	1800	975	70	850	1125	515	800	1410	1710	1145	120
T200K	166	166	100	200	870	770	1034	599	55	671	720	370	440	820	1090	305	40
T300K	326	226	75	300	870	906	1145	665	55	703	860	418	548	986	1200	610	50



Average sound level @ 1 mtr 'K' Range 80 dB(A), 'T' Range 88 dB(A), depending on motor rpm and location.

Due to the continued improvement of our products, specifications may vary from those provided in this leaflet. We reserve the right to alter specifications and dimensions without prior notice. Any non standard sizes manufactured to specific requirements. All dimensions quoted are approximate.



**Standard Belt Driven Axial Flow Fans**

Suitable for applications where it is desirable to have the motor external from the air stream.

The impeller is keywayed onto a shaft, which is mounted in a bearing unit. The impeller is driven via vee belts which are isolated from the air stream in a central tunnel. The motor is supported on an adjustable platform, which is fitted to the fan casing.

A ventilated guard is fitted over the drive and motor shaft.

All standard casings are fabricated from mild steel.

**Impellers**

Standard impellers have cast aluminium hubs and glass reinforced polypropylene blades, which have a safe operating temperature of between 40°C and 100°C, depending upon speed. The number of blades can vary between 5 and 16, and the pitch angle is adjustable between 10° and 40° in stages of 2.5°. Where temperatures are in excess of 100°C, an alternative impeller with aluminium blades is available.

Details of larger sizes and duties available on request



Specification					
Diameter mm	Speed rpm	Volume cu/mtr/hr	Pressure Pa	Motor	
				kW	Kg
400	1550	2754	250	0.75	35
400	1550	4131	250	1.10	39
500	1550	5950	250	1.10	43
500	1550	8925	250	1.50	45
630	1650	11600	255	1.50	54
630	1650	14620	255	2.20	62
630	1650	17850	255	3.00	64
710	1550	20400	255	3.00	72
710	1550	23800	255	4.00	84
710	1550	27200	255	5.50	102
800	1650	22100	255	3.00	85
800	1650	27200	255	4.00	77
800	1650	32300	255	5.50	113
800	1650	37400	255	7.5	120
900	1500	40800	255	5.5	125
1000	1500	47600	255	7.5	132

**Standard Range of Bifurcated Fans**

**Specification**

High temperature fans have aluminium impellers, cooling spinners and heat shields to protect the motors. Normal temperature fans have polypropylene impellers. All fans have fully welded mild steel casings, which are galvanised after manufacture. All motors are weather-proofed and suitable for standard voltage three phase supply. Alternative motors can be fitted as an extra.

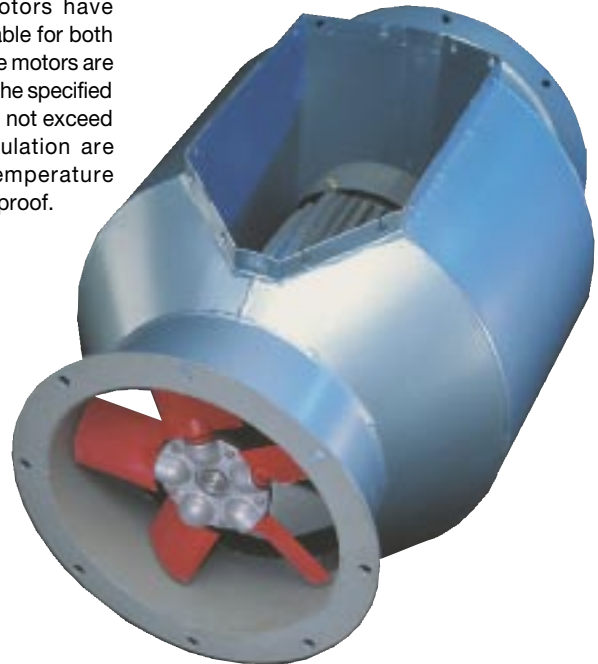
All standard casings are fabricated from mild steel.

**Motors**

Standard motors are three phase, totally enclosed fan ventilated squirrel cage design of proprietary manufacture. All motors have shielded ball bearings and are suitable for both vertical and horizontal mounting. The motors are selected to be continuously rated at the specified ambient temperature, which should not exceed 40°C. Alternative classes of insulation are available where the ambient temperature exceeds 40°C. Single phase, flameproof.

Details of larger sizes and duties available on request

Specification							
Model mm	Diameter mm	Speed rpm	Volume cu/mtr/hr	Pressure Pa	Motor		
					kW	Max. Operating Temp. °C	Weight Kg
150NTB/2	150	2800	360	40	0.25	60	20
175NTB/2	175	2800	540	60	0.25	60	20
250NTB/4	250	1400	830	40	0.37	60	25
250NTB/2	250	2800	1690	125	0.55	60	25
315NTB/4	315	1400	1690	60	0.37	60	30
315NTB/2	315	2800	3385	200	0.55	60	30
400NTB/4	400	1400	3385	70	0.37	60	35
400NTB/2	400	2800	6840	400	1.10	60	40
500NTB/4	500	1400	5400	150	1.10	60	40
500NTB/2	500	2800	7000	500	4.00	60	60
630NTB/6	630	900	9500	100	1.1	60	70
630NTB/4	630	1400	14400	225	3.00	60	70
710NTB/6	710	900	14000	120	1.50	60	90
710NTB/4	710	1400	21600	250	4.00	60	95



Due to the continued improvement of our products, specifications may vary from those provided in this leaflet. We reserve the right to alter specifications and dimensions without prior notice. Any non standard sizes manufactured to specific requirements. All dimensions quoted are approximate.



**Fume Extraction Ventilator Fans**



RP 250 with Ferrell 'Kwik-Fix' ducting and a 'Flexi-Arm'.

The RP range of fume extraction ventilator fans are designed to satisfy the demand for a quality modular system, which features high-performance and total reliability at competitive prices.

Available in a wide combination of fan sizes to suit a variety of applications and requirements. (The units are also available with flameproof motors upon request).

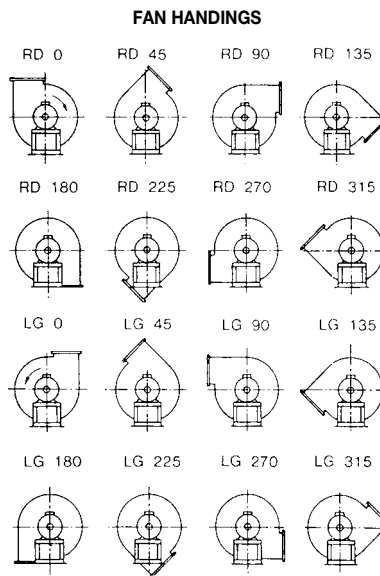


The RP series of fans are designed for use in conjunction with medium pressure, fixed ducting extraction and ventilation systems in multiple workstations, welding shops, garages and transport workshops and general production areas.

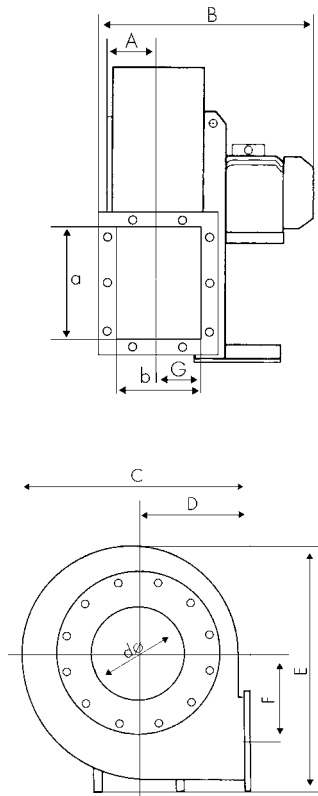
Specification										
Model	A mm	B mm	C mm	D mm	E mm	F mm	G mm	a mm	b mm	Dia. mm
RP-250/28	94	435	441	195	526	149	96	258	185	255
RP-280/28	105	450	477	200	610	172	105	288	205	285
RP-310/28	117	539	527	225	658	196	117	322	229	320
RP-350/28	130	636	600	255	740	216	131	361	256	360
RP-400/28	147	668	655	285	815	245	147	404	288	405
RP-450/28	163	764	735	320	915	275	165	453	366	455

Specification					
Model	Fan Motor kW	Speed rpm	Air Volume cu/mtr/hr	Pressure mm W/G	Noise Level @ 2 mtr dB(A)
RP-250/28	0.6	2820	1500	70	70
RP-280/28	1.1	2840	2750	70	72
RP-310/28	2.2	2850	4250	80	76
RP-350/28	3.0	2900	6000	110	79
RP-400/28	5.5	2900	7650	160	84
RP-450/28	7.5	2900	8500	250	86
RP-450/28	11.0	2930	9500	230	88

Note the above specified air volumes are only indicative based at given pressure. Fan curve available on application.



MODELS 250 - 450



The acoustic housings are all manufactured from heavy gauge galvanised sheet steel and lined with a fire retardant sound absorbing material.



Acoustic housing for 90 kW paddle blade fan set



2 x 45 kW fans mounted within acoustic housings and incorporating duct silencers, used to extract metal grinding dust.



All duct silencers are manufactured in 1mm galvanised sheet steel and lined with fire retardant sound absorbing material.

Due to the continued improvement of our products, specifications may vary from those provided in this leaflet. We reserve the right to alter specifications and dimensions without prior notice. Any non standard sizes manufactured to specific requirements. All dimensions quoted are approximate.