

MV Series Direct-Drive Paddle Blade Fans

These Fans are constructed from heavy gauge steel plate and they have been specifically designed for the extraction and transportation of wood and dust particles. Each fan has a highly efficient impeller with backward inclined blades and an aerodynamically designed inlet, which is self-cleaning. The impellers are manufactured from 4 and 5mm thick steel plate and they are statically and dynamically balanced for a stable, vibration free performance.

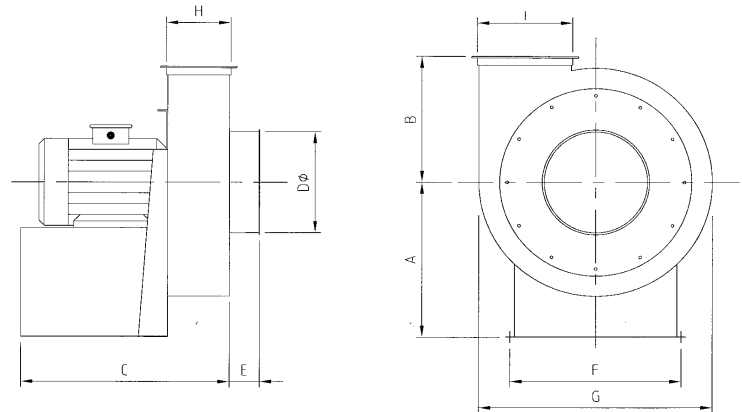
Specification - Table 1						
Model	Fan kW	Speed rpm	Fan Inlet Dia. mm	Air Volume m ³ /hr	Pressure mm w/g	Weight Kg
MV3	2.2	2800	180	2700	160	62
MV4	3.0	2800	225	3600	160	65
MV5	4.0	2800	250	4800	180	76
MV7	5.5	2800	300	6100	190	85
MV10	7.5	2800	325	8300	200	97
MV15	11.0	2800	400	11200	220	119
MVS/HR15	11.0	1450	400	12100	285	310
MVS/HR20	15.0	1450	425	14100	310	340
MVS/HR25	18.5	1450	450	15600	320	442
MVS/HR30	22.0	1450	500	18000	320	463

Specification - Table 2									
Model	A mm	B mm	C mm	D mm	E mm	F mm	G mm	H mm	I mm
MV3	383	283	460	180	65	360	540	135	210
MV4	450	290	520	225	65	377	610	180	235
MV5	450	290	550	250	65	377	610	180	235
MV7	455	330	550	300	65	477	690	180	285
MV10	455	330	595	325	70	477	690	180	285
MV15	535	400	715	400	90	540	800	210	310
MVS/HR15	775	570	820	400	150	760	1180	290	400
MVS/HR20	775	570	820	425	150	760	1180	290	400
MVS/HR25	775	615	980	450	150	760	1190	370	450
MVS/HR30	775	615	980	500	150	760	1190	370	450

Highly efficient ■ Smooth running ■ Solidly Built

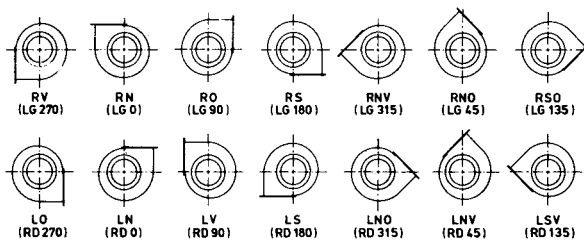


Starters on all models are excluded

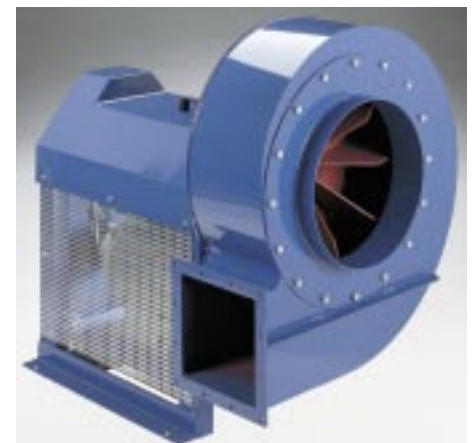


K Series Indirect Paddle Blade Fans

These fans are constructed from heavy gauge plate steel and they have been specifically designed for the extraction and transportation of wood and dust particles. Each fan has a highly efficient impeller which is also manufactured from heavy gauge plate steel. These impellers are statically and dynamically balanced for a stable and vibration-free performance.

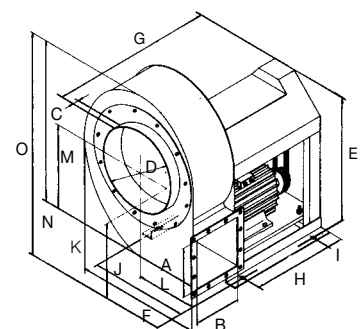


The handing position applies to the fan seen from the suction side.



The indirect belt drive range from 7.5 kW to 90 kW

Specification																	
Model	A mm	B mm	C mm	D mm	E mm	F mm	G mm	H mm	I mm	J mm	K mm	L mm	M mm	N mm	O mm	Weight Kg	Max. Motor hp
30K	206	206	36	300	635	631	795	395	55	460	550	293	377	676	816	148	15
40K	250	250	55	400	765	740	1010	545	55	550	650	326	462	824	987	270	30
45K	339	339	55	450	870	885	1162	599	55	675	720	375	570	1013	1144	400	40
55K	418	418	60	550	1200	1095	1435	780	55	853	955	468	715	1250	1490	915	75
75K	704	555	60	750	1350	1225	1800	975	70	850	1125	515	800	1410	1710	1145	120
T200K	166	166	100	200	870	770	1034	599	55	671	720	370	440	820	1090	305	40
T300K	326	226	75	300	870	906	1145	665	55	703	860	418	548	986	1200	610	50



Average sound level @ 1 mtr 'K' Range 80 dB(A), 'T' Range 88 dB(A), depending on motor rpm and location.

Due to the continued improvement of our products, specifications may vary from those provided in this leaflet. We reserve the right to alter specifications and dimensions without prior notice. Any non standard sizes manufactured to specific requirements. All dimensions quoted are approximate.

